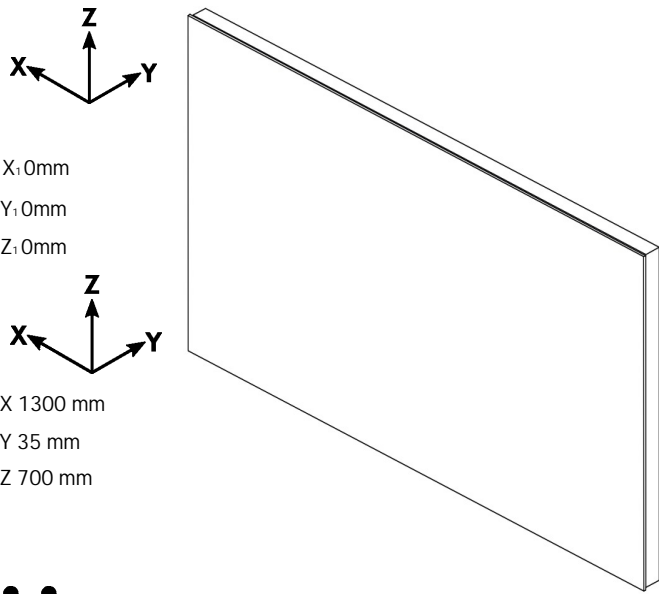


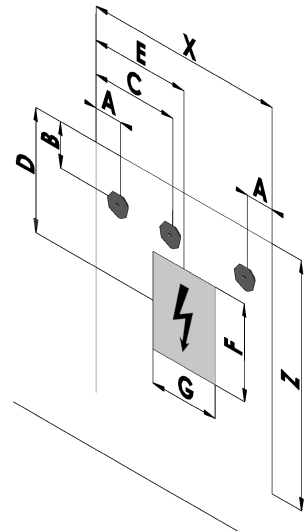
STRIPE ZCO 130



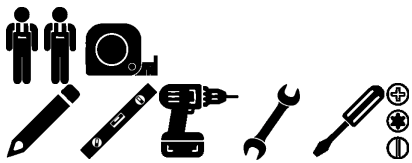
X: 0 mm
Y: 0 mm
Z: 0 mm

X: 1300 mm
Y: 35 mm
Z: 700 mm

X 1300 mm
Z 700 mm
A 190 mm
B 177 mm
C mm
D 1/2 Z
E 1/2 X
F mm
G mm
H mm
I mm
J mm



220V-240V~ ; 50Hz-60Hz ; max. 24W ; IP67 ; 4000K



max. Kg Max. 5 Kg

