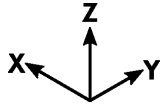


U117

X: 850mm

Y: 455mm

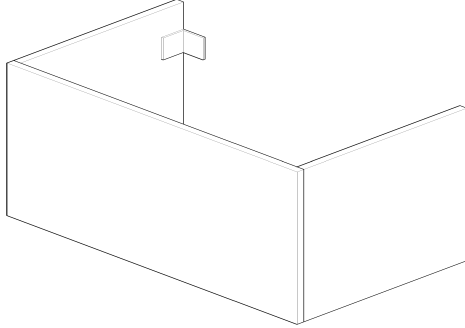
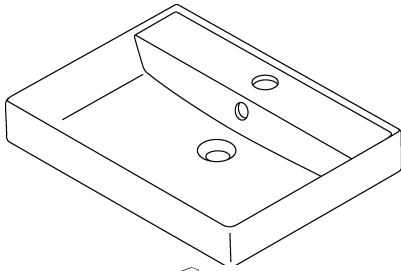
Z: 100mm



X: 1200 mm

Y: 500 mm

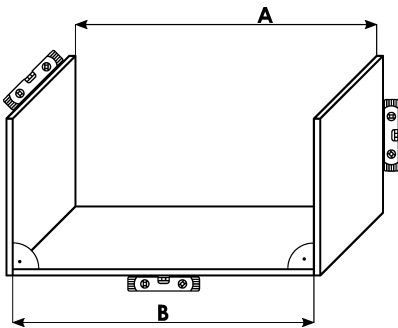
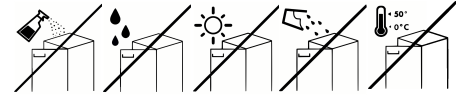
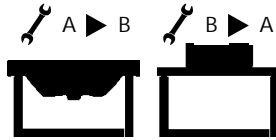
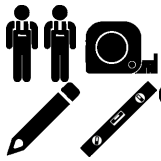
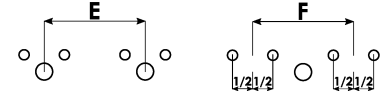
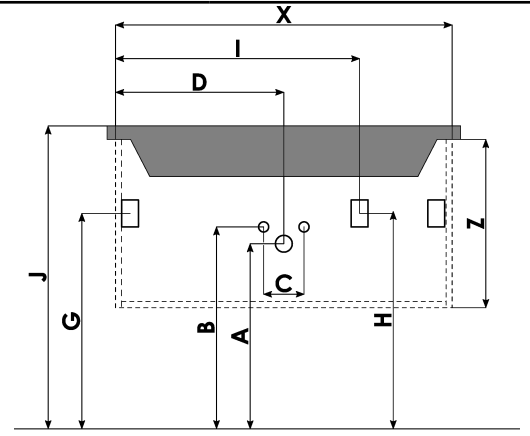
Z: 418 mm



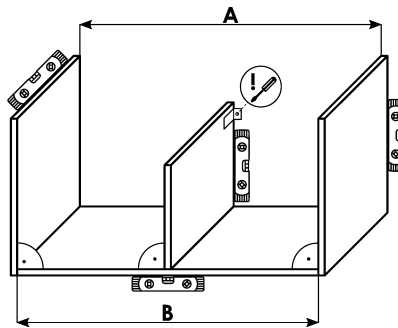
A



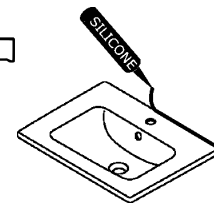
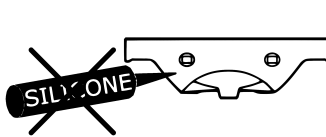
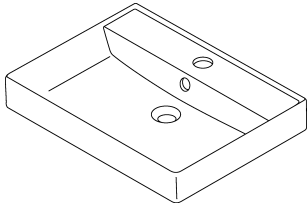
- A 560 mm
- B 600 mm
- C 80-100 mm
- D 600 mm
- E ... mm
- F ... mm
- G 691 mm
- H 658 mm
- I 478/720 mm
- J 860 mm
- M mm
- N mm



! A=B



A



B

