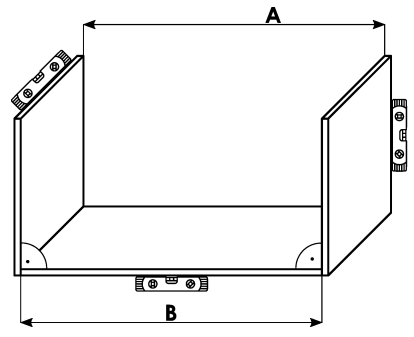
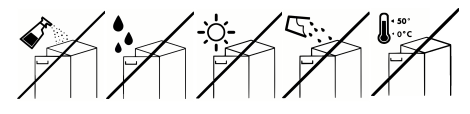
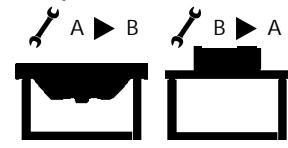
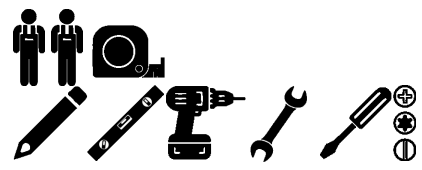
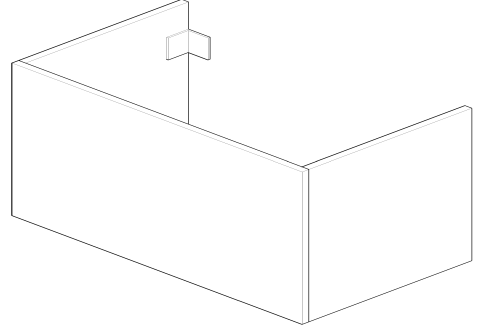
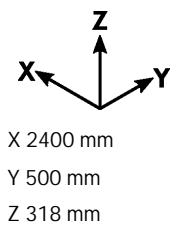
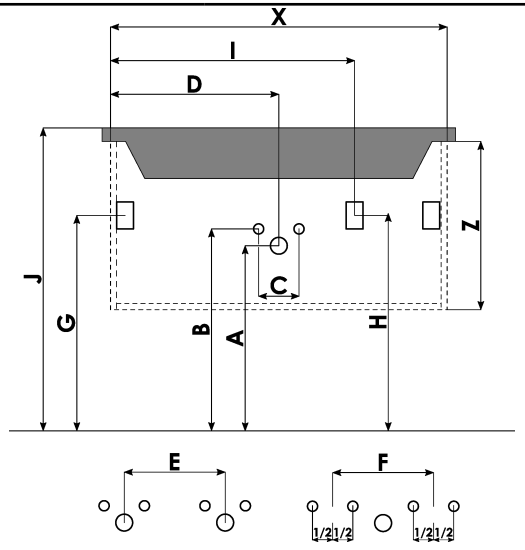
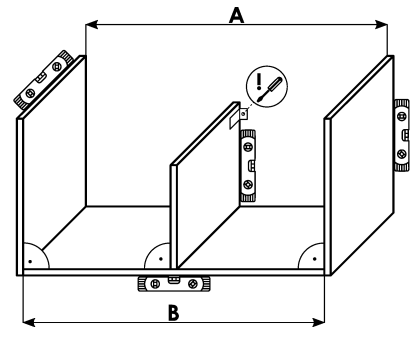


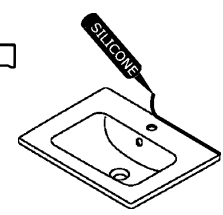
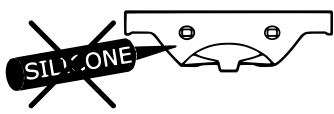
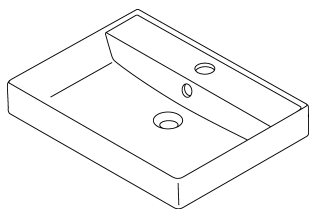
- A 560 mm
- B 600 mm
- C 80-120 mm
- D 601 mm
- E 1198 mm
- F ... mm
- G 691 mm
- H 691 mm
- I 1152/1249/2350 mm
- J 860 mm
- M mm
- N mm



! A=B



**A**



**B**

