

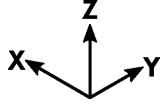


U023

X: 600mm

Y: 470mm

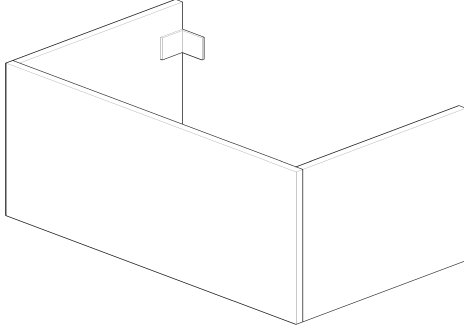
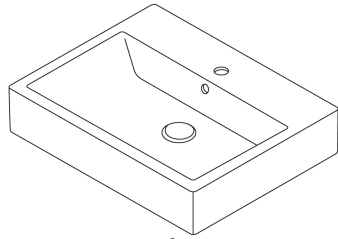
Z: 130mm



X: 2400 mm

Y: 500 mm

Z: 318 mm



A



A 560 mm
B 600 mm
C 80-120 mm

D 601 mm
E 1198 mm

F ... mm
G 656 mm

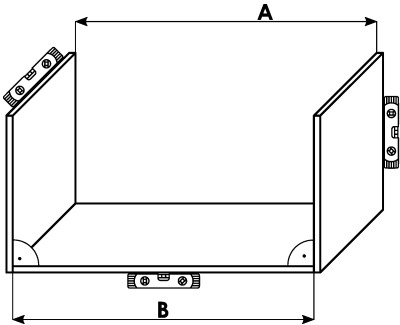
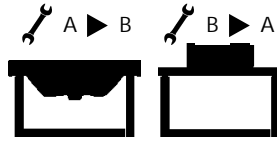
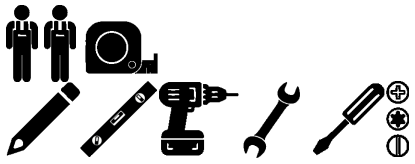
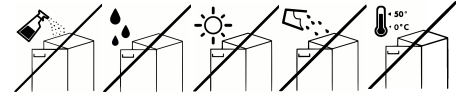
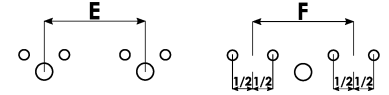
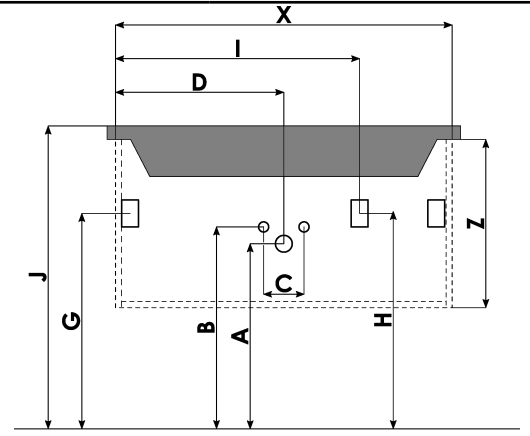
H 656 mm

I 1152/1249/2350 mm

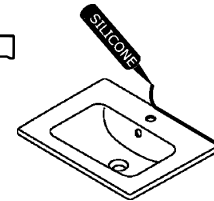
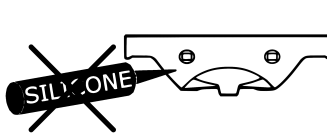
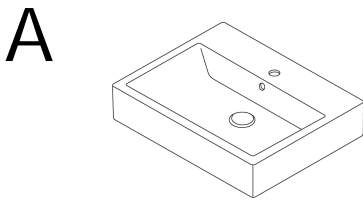
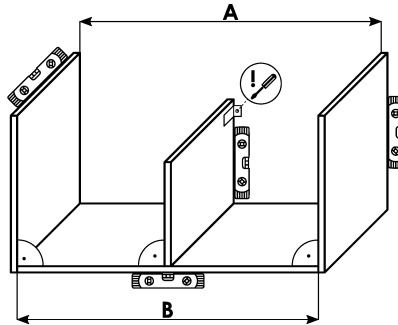
J 860 mm

M mm

N mm



! A=B



B

