

# MODULE SZZ12 200 U103



U103

X<sub>1</sub> 460mm

Y<sub>1</sub> 390mm

Z<sub>1</sub> 125mm



X 2000 mm

Y 500 mm

Z 318 mm



A



A 560 mm  
B 600 mm  
C 80-120 mm

B



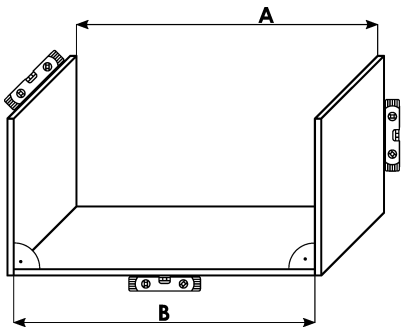
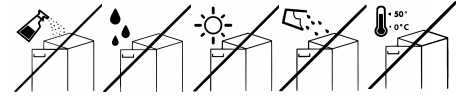
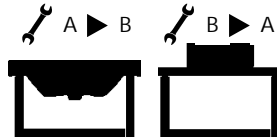
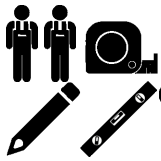
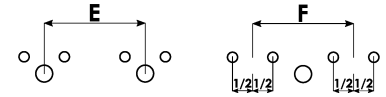
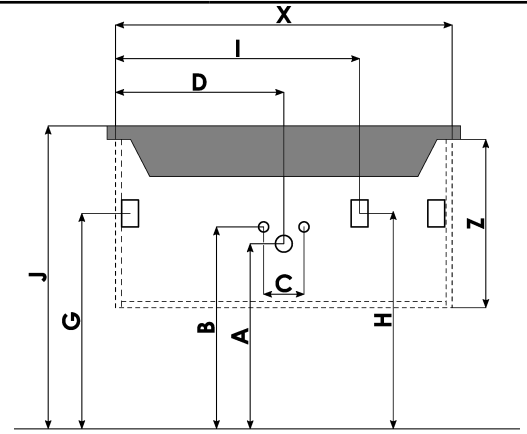
D 501 mm  
E 998 mm  
F ... mm  
G 656 mm  
H 656 mm

I 951/1048/1949 mm

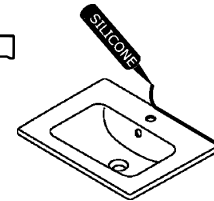
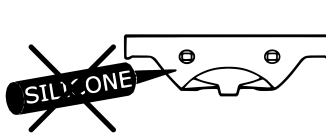
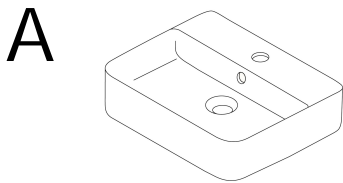
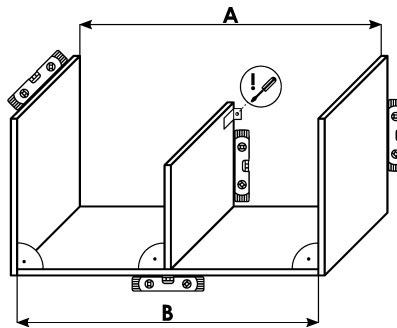
J 860 mm

M mm

N mm



! A=B



B

