

MODULE SZZ12 160 U115

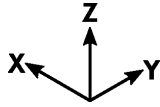
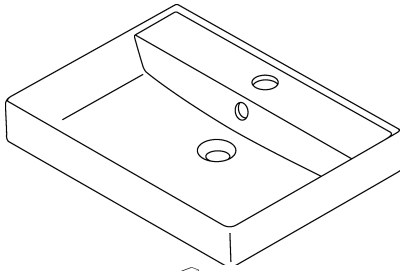


U115

X: 600mm

Y: 455mm

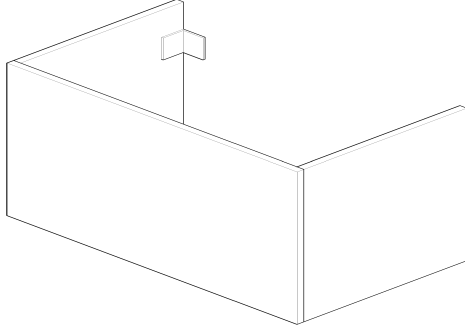
Z: 100mm



X: 1600 mm

Y: 500 mm

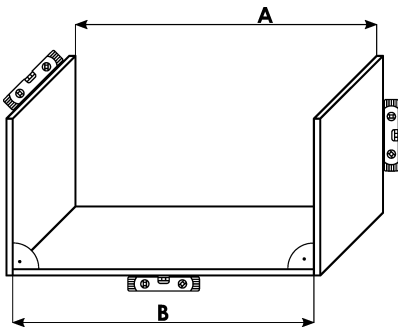
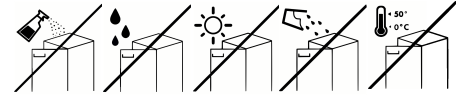
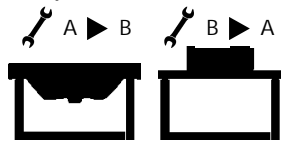
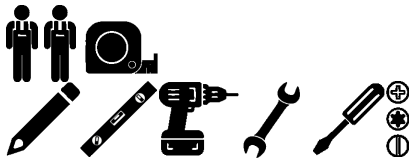
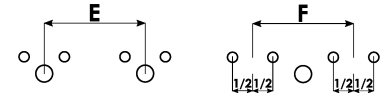
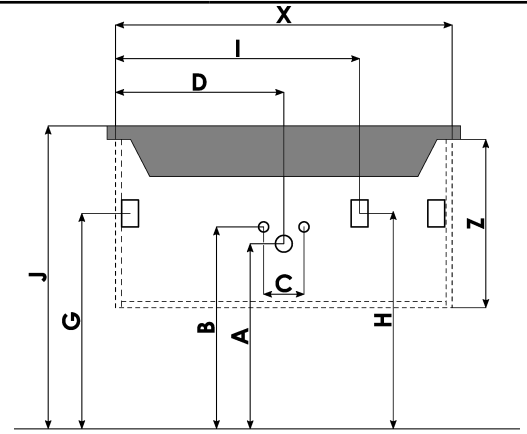
Z: 318 mm



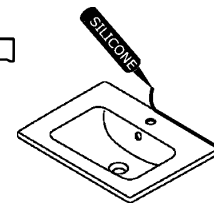
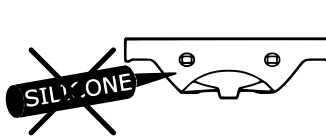
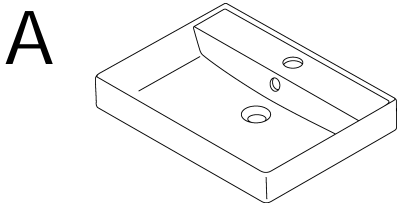
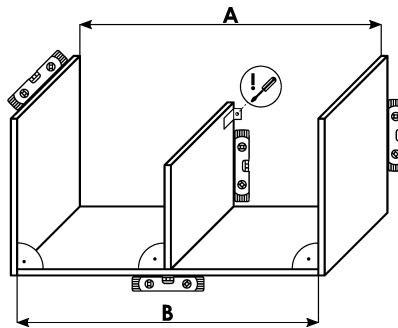
A 560 mm
B 600 mm
C 80-100 mm



D 401 mm
E 798 mm
F 798 mm
G 691 mm
H 691 mm
I 751/848/1549 mm
J 860 mm
M mm
N mm



! A=B



B

