



U115

X: 600mm

Y: 455mm

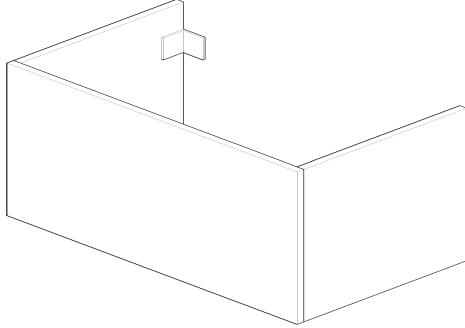
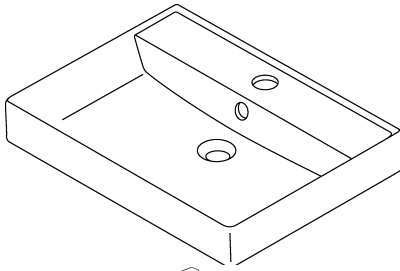
Z: 100mm



X: 1600 mm

Y: 500 mm

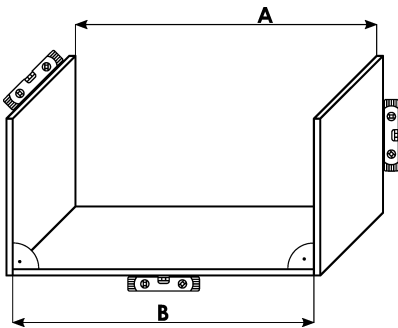
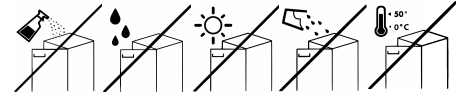
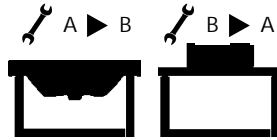
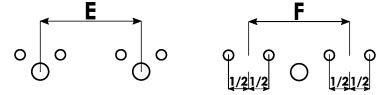
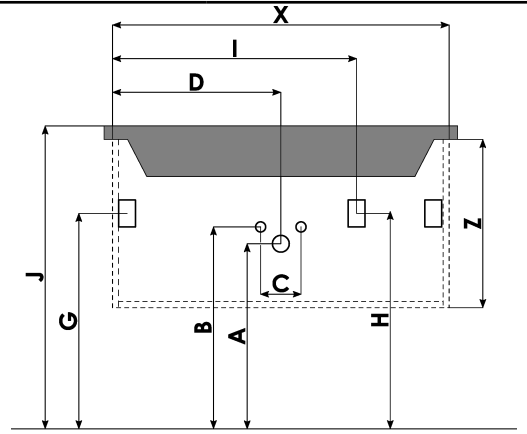
Z: 318 mm



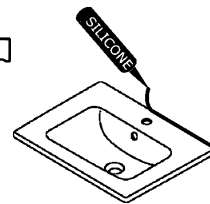
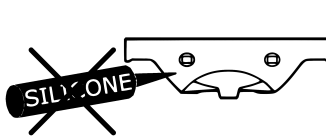
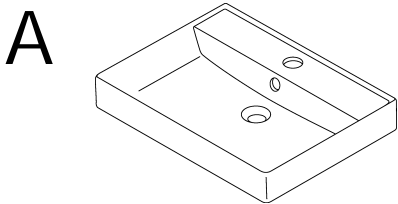
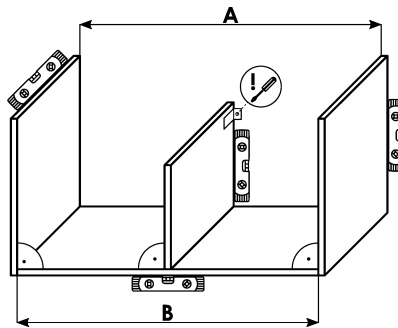
A



- A 560 mm
- B 600 mm
- C 80-100 mm
- D 401 mm
- E 798 mm
- F 798 mm
- G 691 mm
- H 691 mm
- I 751/848/1549 mm
- J 860 mm
- M mm
- N mm



! A=B



B

