

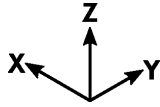
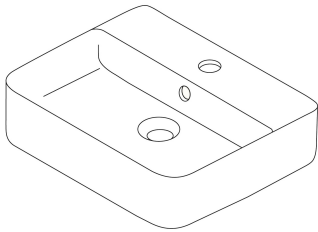


U103

X<sub>1</sub> 460mm

Y<sub>1</sub> 390mm

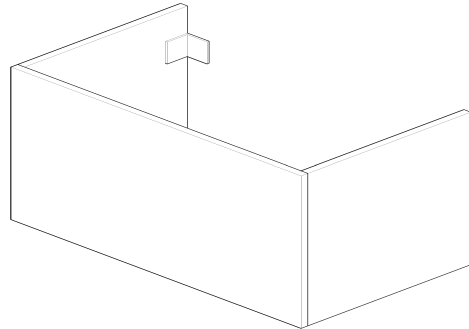
Z<sub>1</sub> 125mm



X 1600 mm

Y 500 mm

Z 318 mm



A



A 560 mm  
B 600 mm  
C 80-120 mm

D 401 mm  
E 798 mm

F ... mm  
G 656 mm

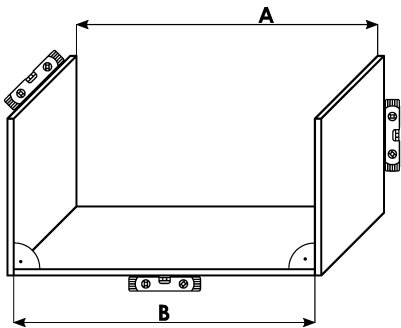
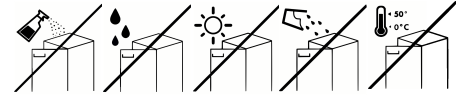
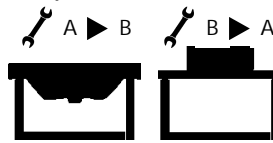
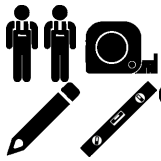
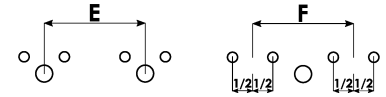
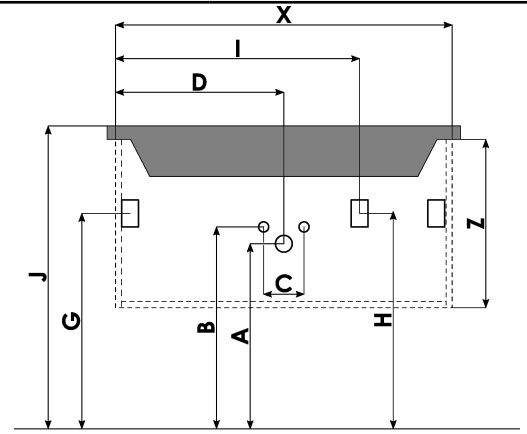
H 656 mm

I 751/848/1549 mm

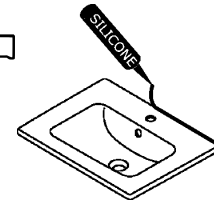
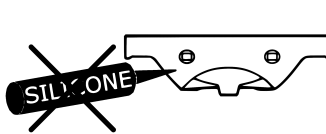
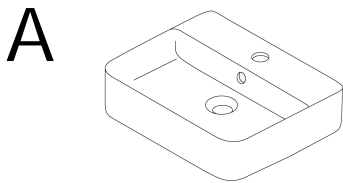
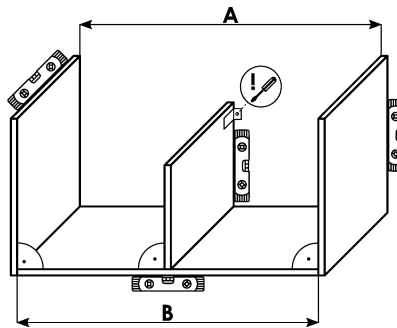
J 860 mm

M mm

N mm



! A=B



B

