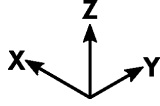
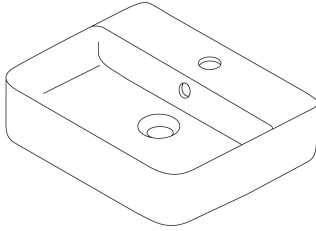


U103

X₁ 460mm

Y₁ 390mm

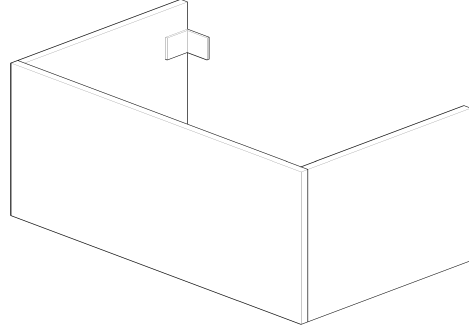
Z₁ 125mm



X 1600 mm

Y 500 mm

Z 318 mm



A



A 560 mm

B 600 mm

C 80-120 mm

D 401 mm

E 798 mm

F ... mm

G 656 mm

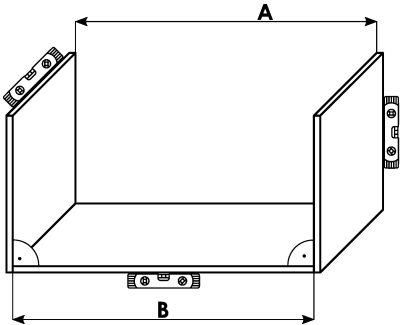
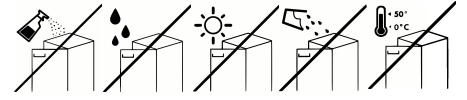
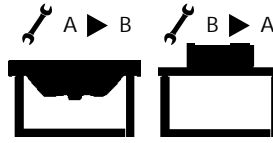
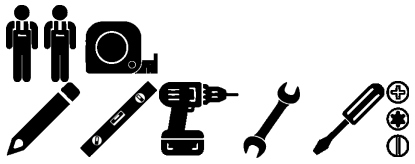
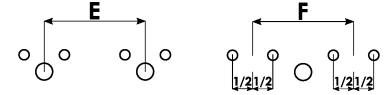
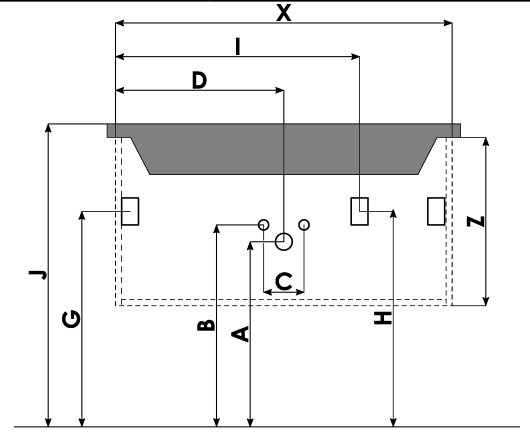
H 656 mm

I 751/848/1549 mm

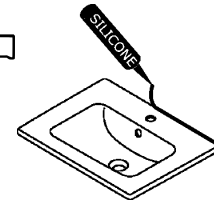
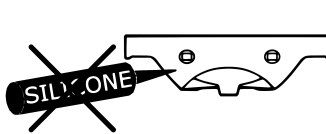
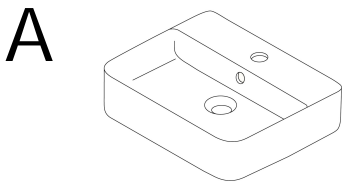
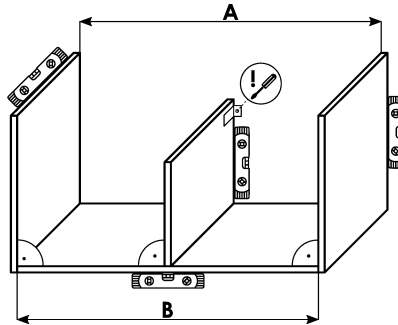
J 860 mm

M mm

N mm



! A=B



B

