

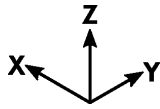


U115

X: 600mm

Y: 455mm

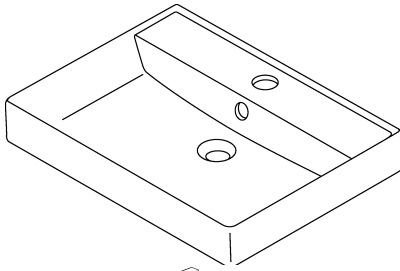
Z: 100mm



X: 800 mm

Y: 500 mm

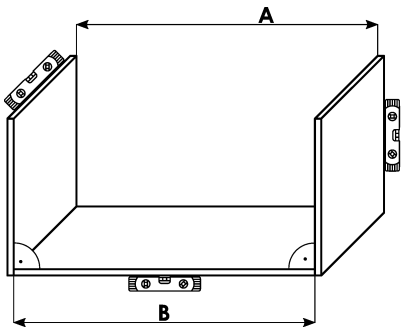
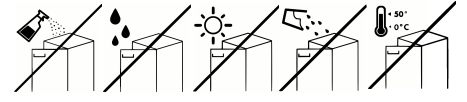
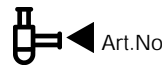
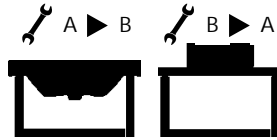
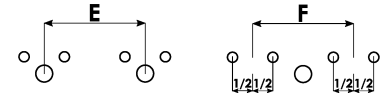
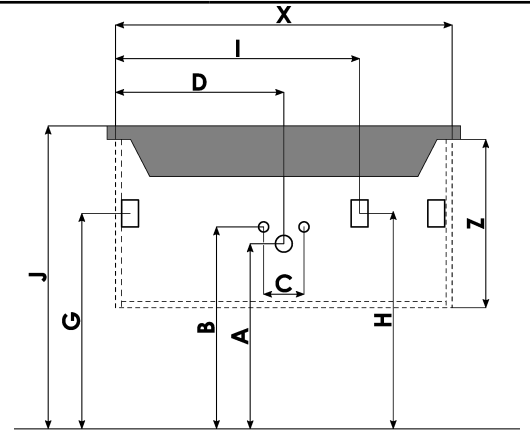
Z: 218 mm



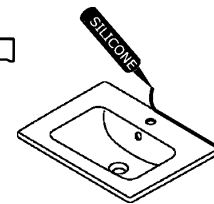
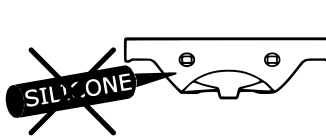
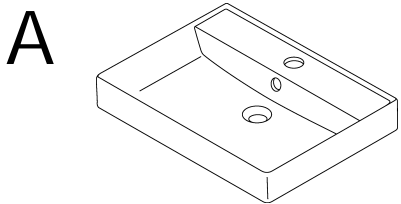
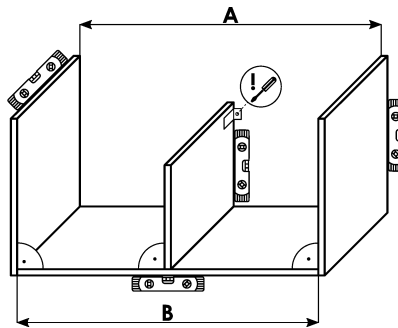
A



- A 510 mm
- B 650 mm
- C 80-100 mm
- D 400 mm
- E --- mm
- F --- mm
- G 691 mm
- H --- mm
- I --- mm
- J 860 mm
- M mm
- N mm



! A=B



B

