

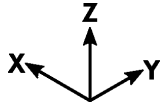


U098

X₁ 460mm

Y₁ 390mm

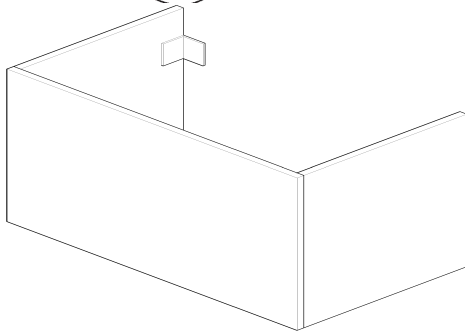
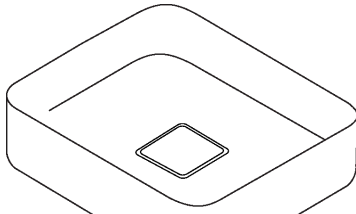
Z₁ 125mm



X 1214 mm

Y 460 mm

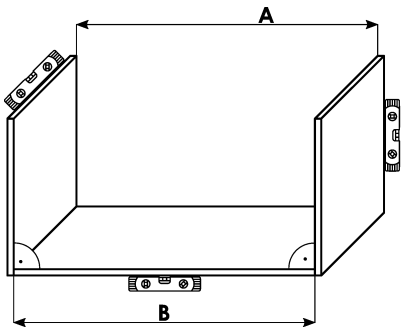
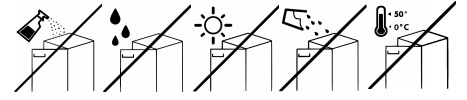
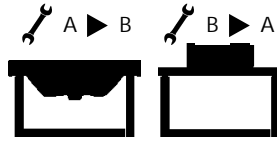
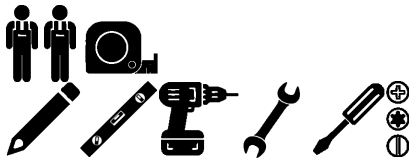
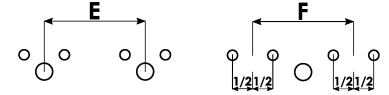
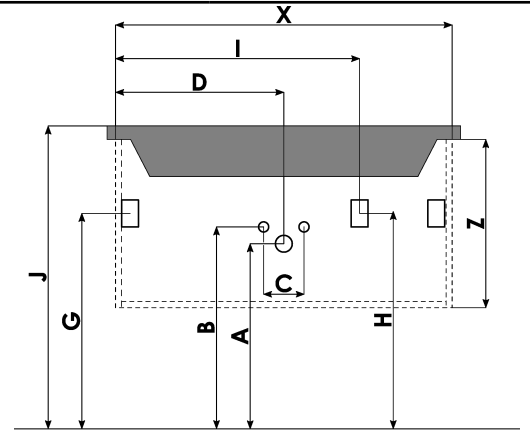
Z 323 mm



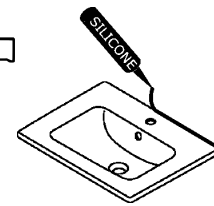
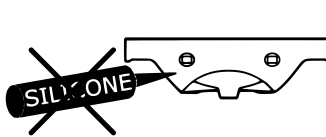
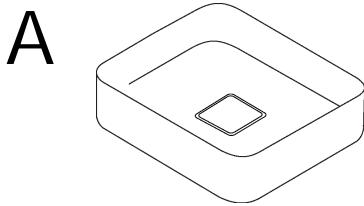
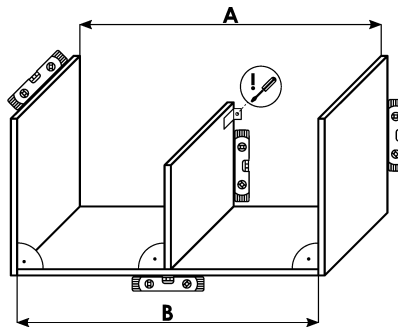
A



- A 550 mm
- B 600 mm
- C 80-120 mm
- D 305 mm
- E 605 mm
- F 605 mm
- G 586 mm
- H --- mm
- I 1/2 X mm
- J 860 mm
- M mm
- N mm



! A=B



B

