

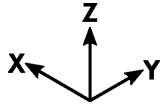


XXX

X: 0mm

Y: 0mm

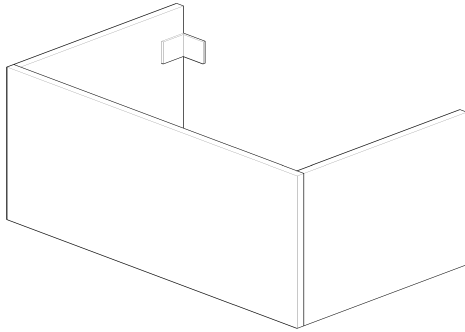
Z: 0mm



X 900 mm

Y 500 mm

Z 400 mm



A --- mm



B --- mm

C 80-120 mm

D --- mm

E --- mm

F --- mm

G mm

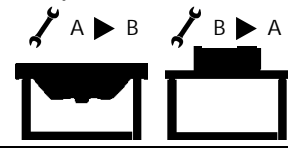
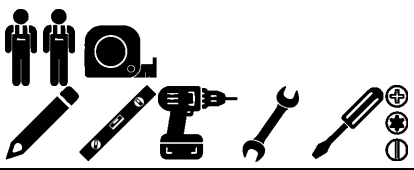
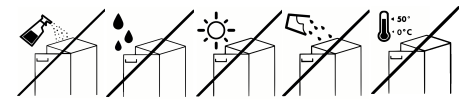
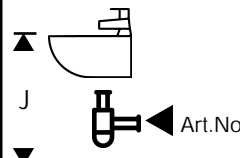
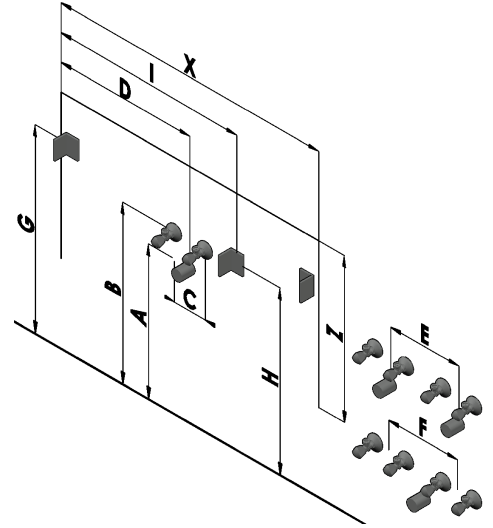
H mm

I mm

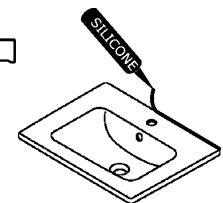
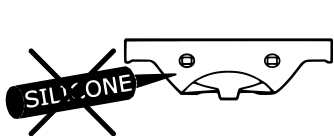
J 860 mm

M mm

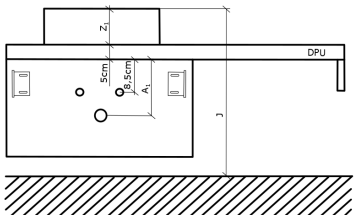
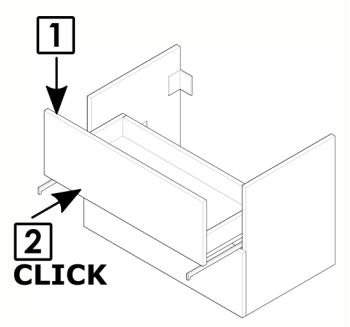
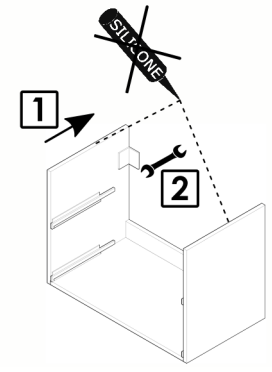
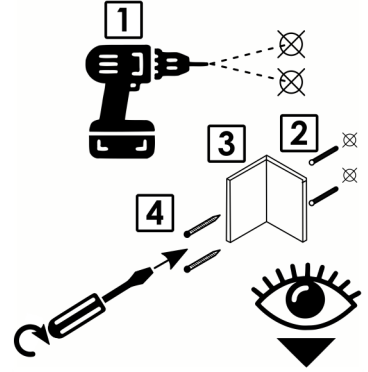
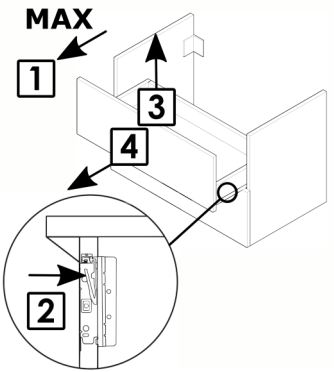
N 31 mm



A



B



Z<sub>1</sub> = Triumph:  
SZZ A<sub>1</sub> = 80 mm  
SZZ1 A<sub>1</sub> = 80 mm  
SZZ2 A<sub>1</sub> = 80 mm

Z<sub>1</sub> = Kube, Joy, Joy 3:  
SZZ A<sub>1</sub> = 230 mm  
SZZ1 A<sub>1</sub> = 120 mm  
SZZ2 A<sub>1</sub> = 120 mm

