

XXX

X: 0mm

Y: 0mm

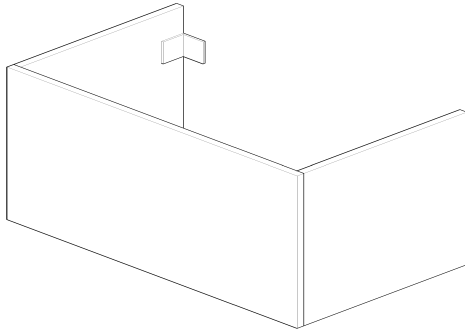
Z: 0mm



X 1000 mm

Y 500 mm

Z 200 mm



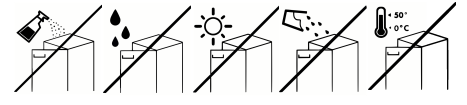
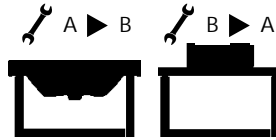
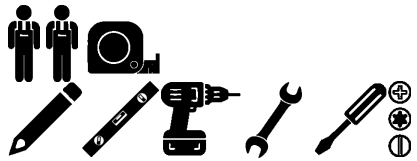
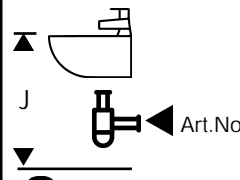
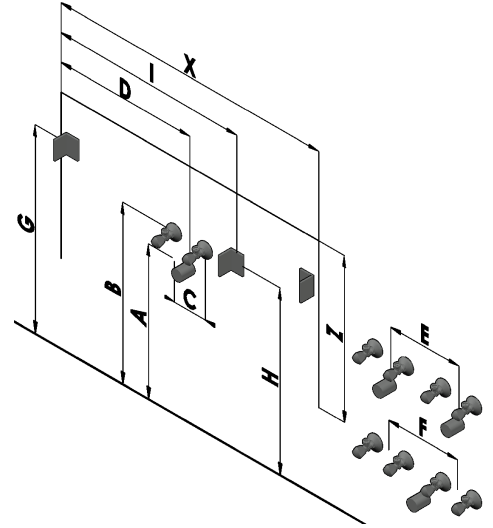
A



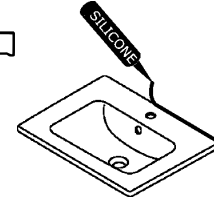
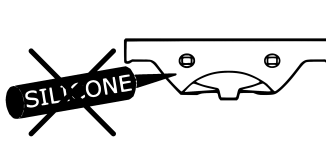
B



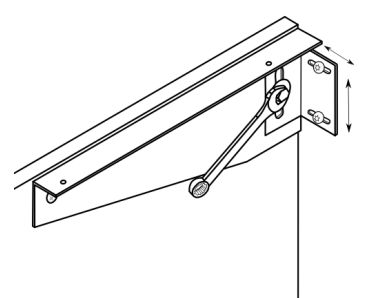
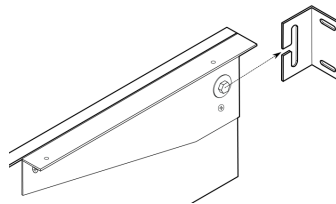
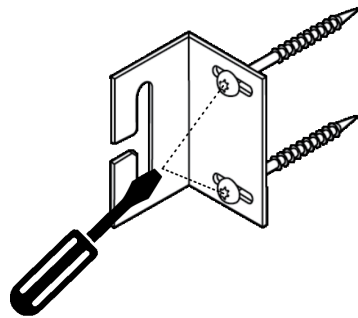
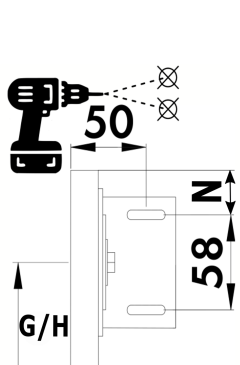
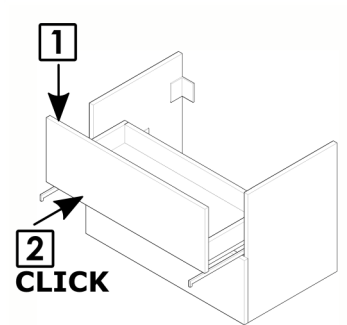
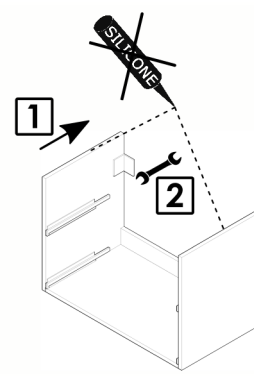
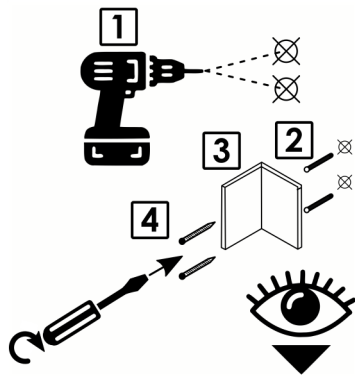
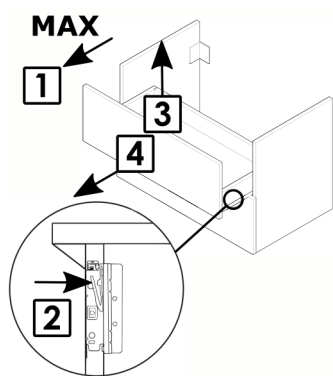
- A mm
- B mm
- C mm
- D mm
- E mm
- F mm
- G mm
- H mm
- I mm
- J mm
- M mm
- N 31 mm

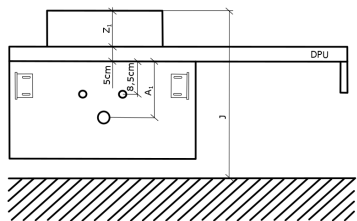


A



B





**Z<sub>1</sub> = Triumph:**  
 SZZ A<sub>1</sub> = 80 mm  
 SZZ1 A<sub>1</sub> = 80 mm  
 SZZ2 A<sub>1</sub> = 80 mm

**Z<sub>1</sub> = Kube, Joy, Joy 3:**  
 SZZ A<sub>1</sub> = 230 mm  
 SZZ1 A<sub>1</sub> = 120 mm  
 SZZ2 A<sub>1</sub> = 120 mm

